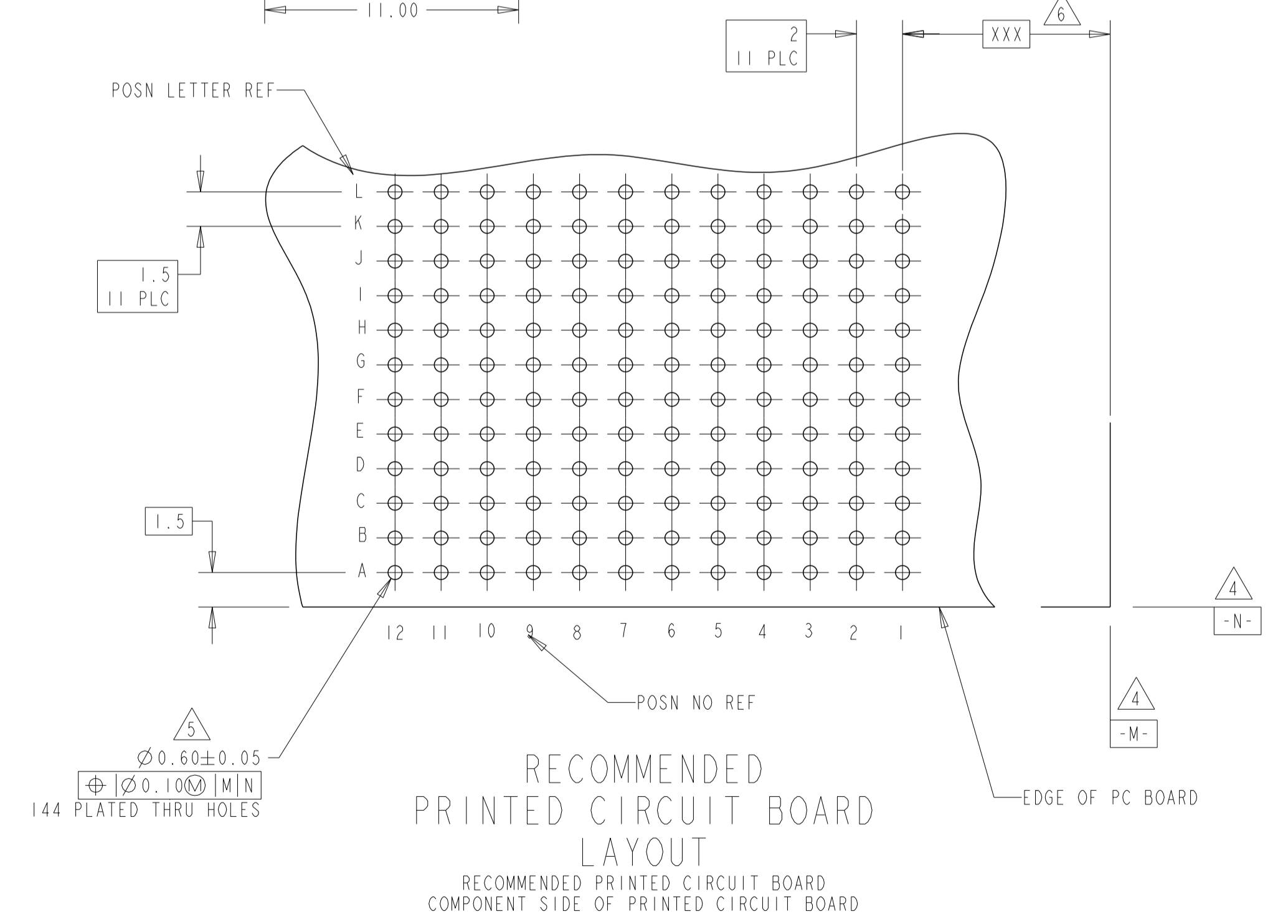
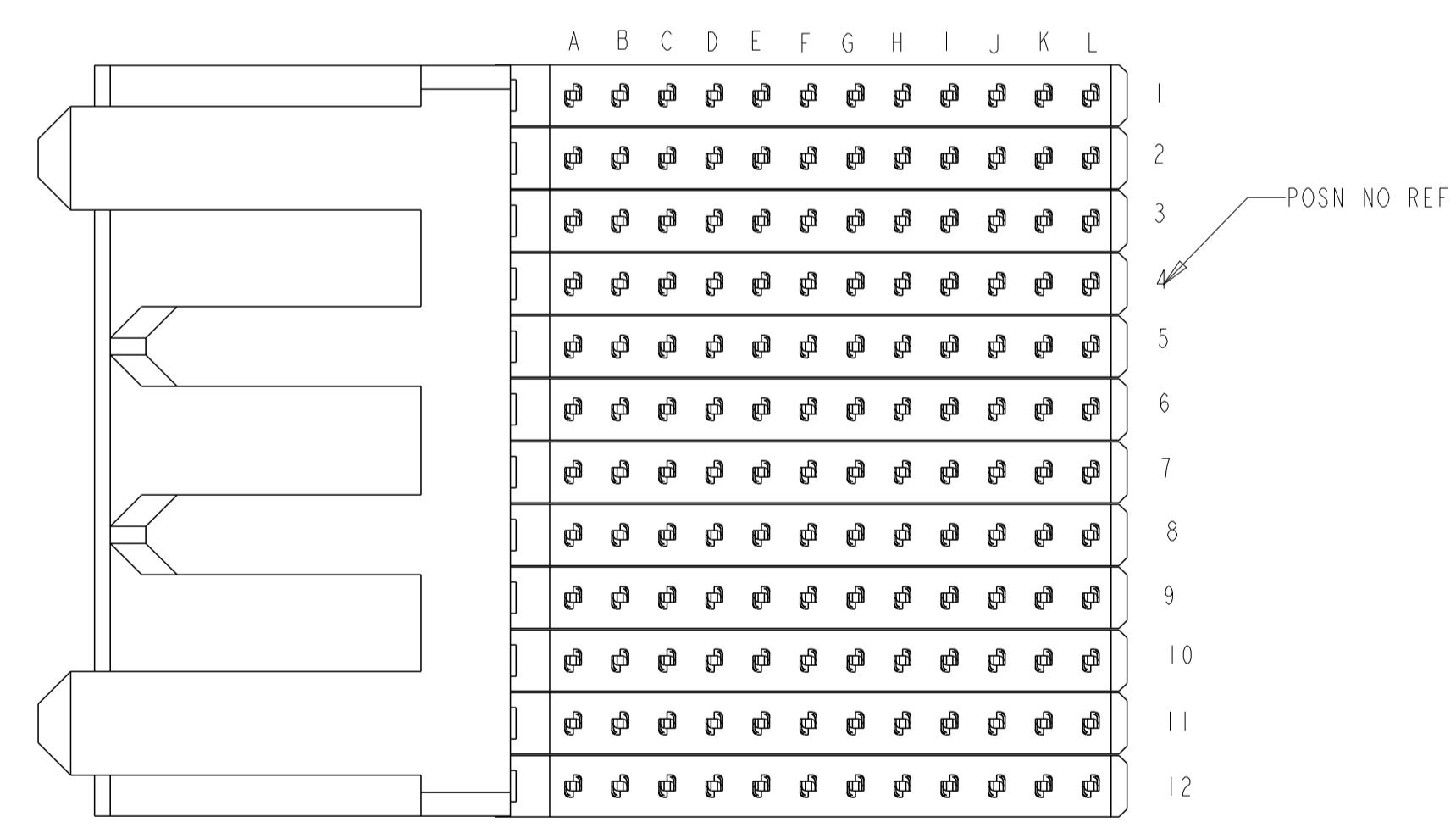
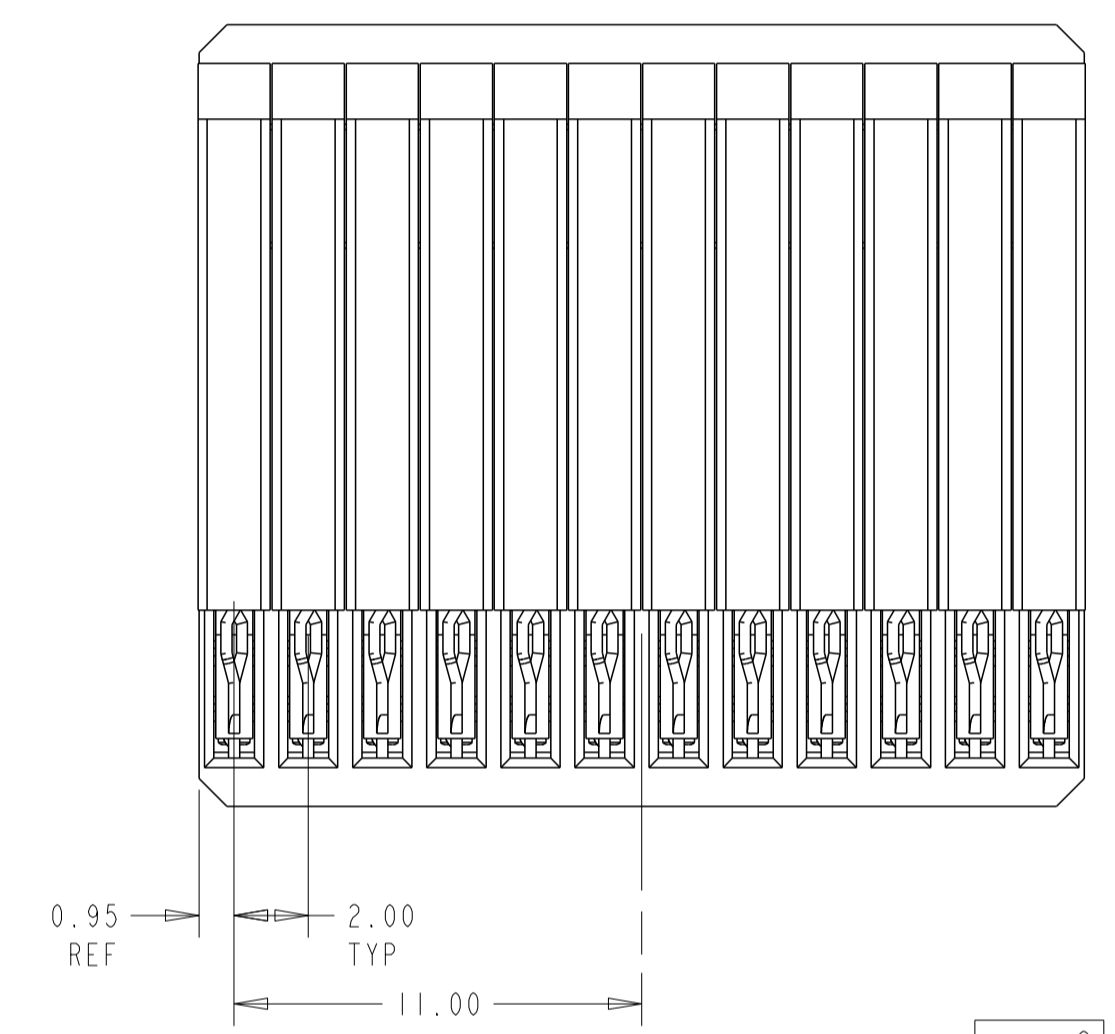
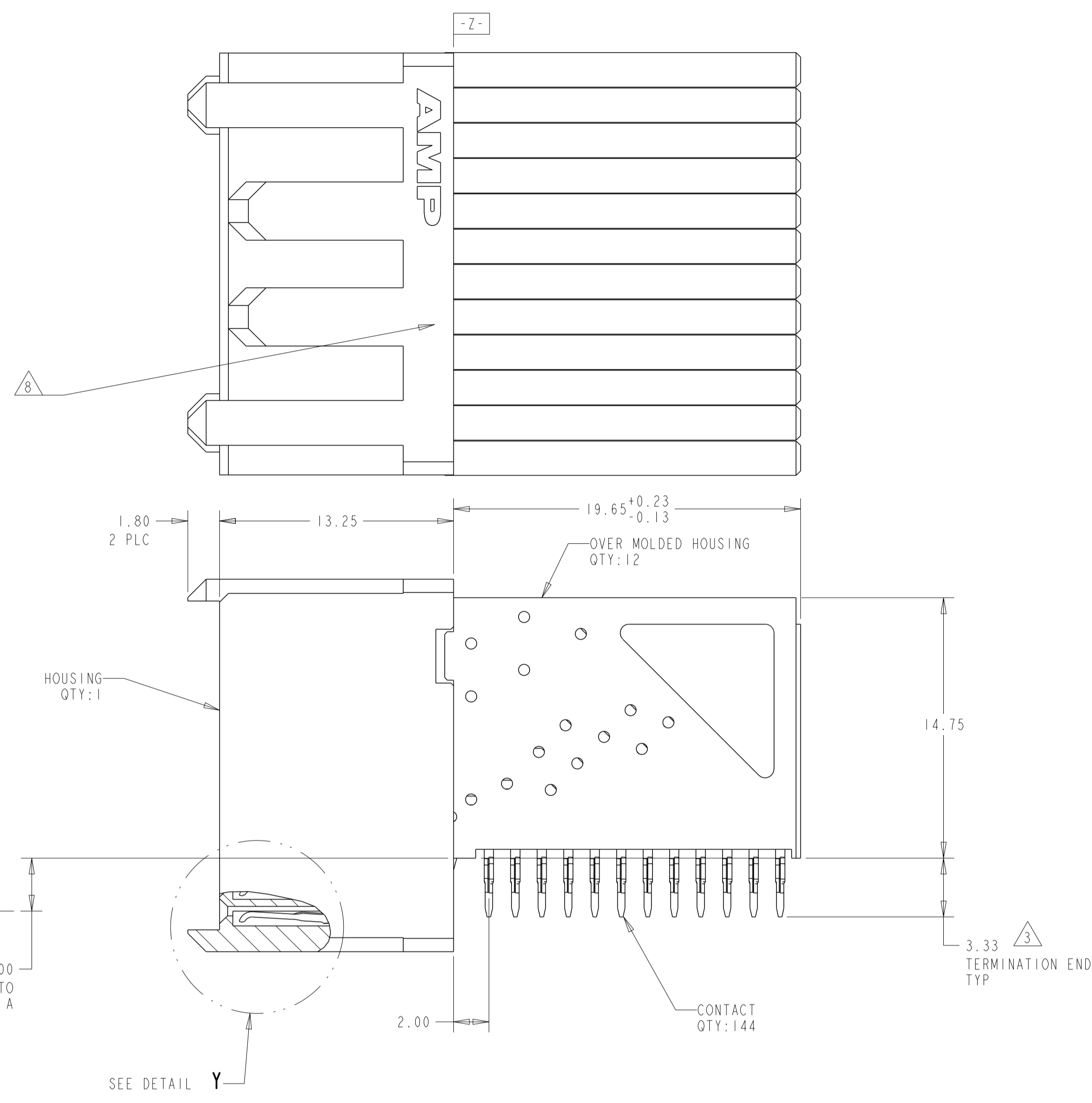
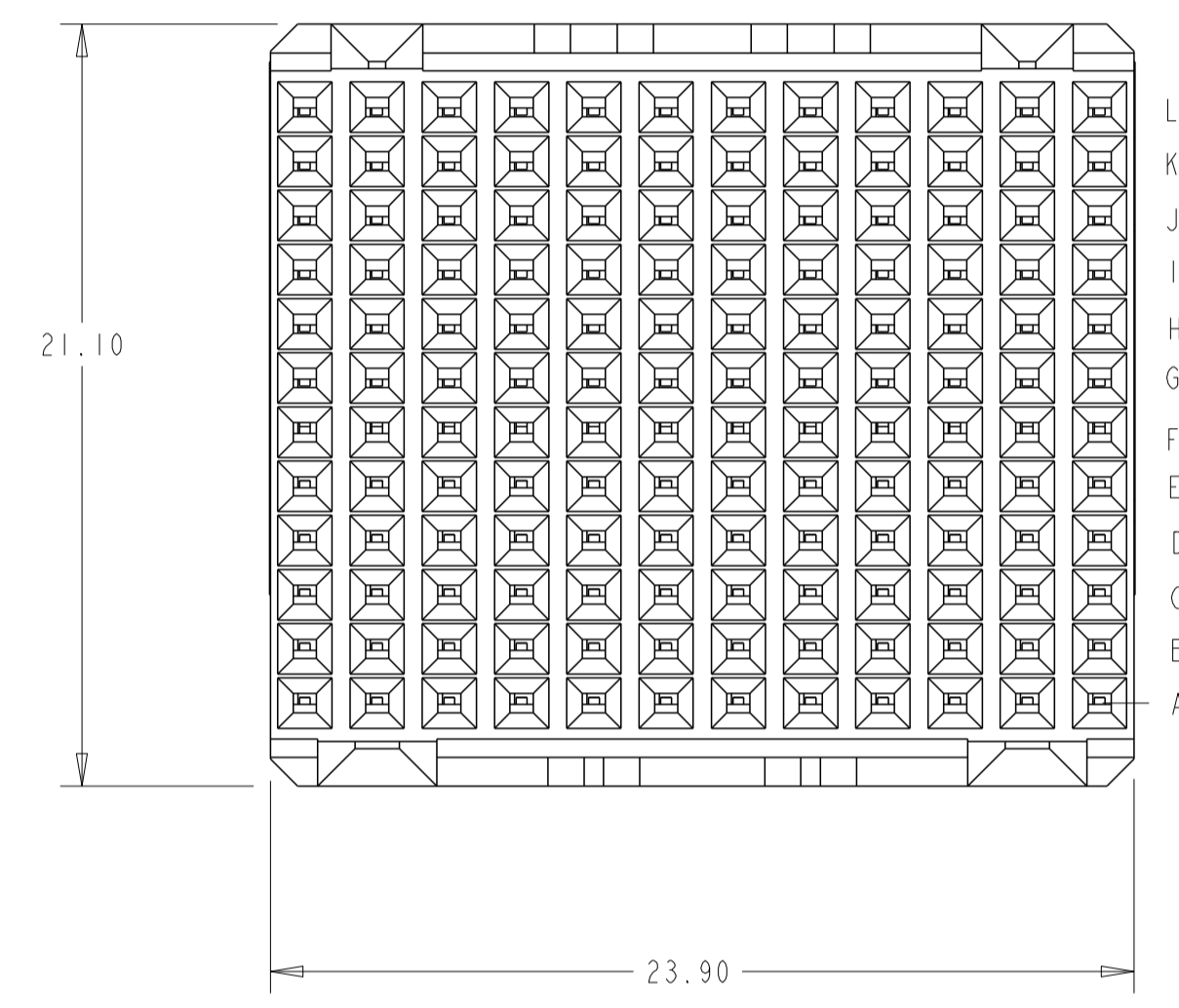
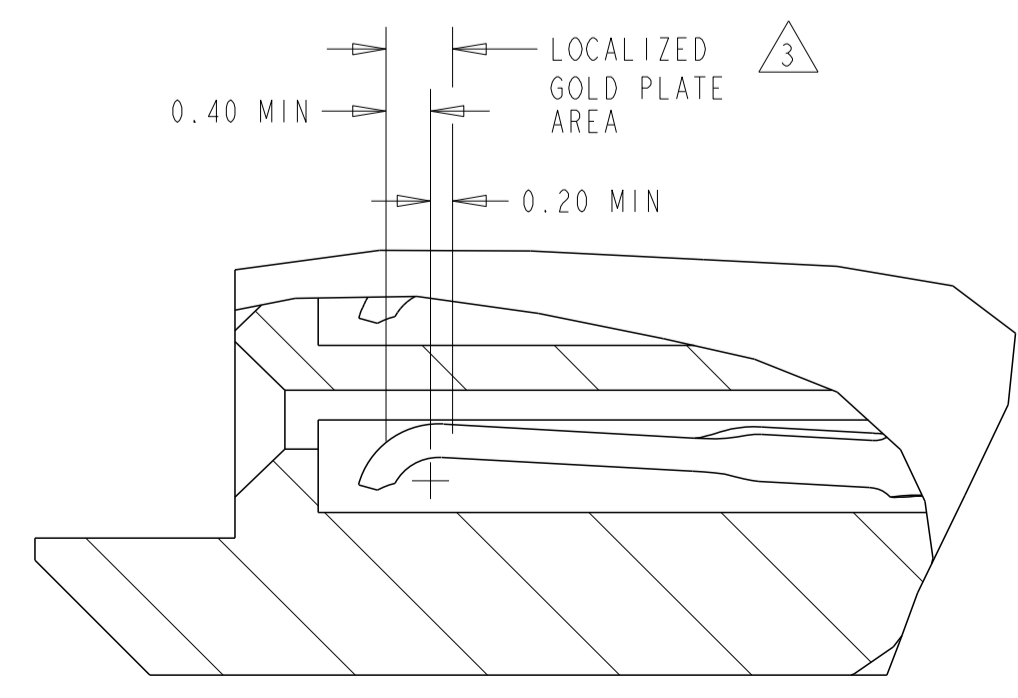


LOC		DIST		REVISIONS			
P	LTR	DESCRIPTION	DATE	DRN	APVD		
A		INITIAL RELEASE	10MAY11	RC	CW		



- 1 GLASS FILLED POLYESTER, BLACK
- 2 PHOSPHOR BRONZE
- 3 CONFORMS TO ALL TESTING ACCORDING TO IEC 61076-4-101 PERFORMANCE LEVEL 2.
- 4 DATUMS ESTABLISHED BY CUSTOMER.
- 5 DRILLED HOLE DIAMETER 0.700±0.025
COPPER THK 0.025-0.05
TIN THICKNESS 0.004-0.01
- 6 DIMENSION ESTABLISHED BY CUSTOMER.
- 7 GENERAL PLATING SPECIFICATION: UNDERPLATING (ENTIRE CONTACT): 1.27um MIN NICKEL AND ACTION PIN: 0.5um MIN TIN.
FOR PLATING OF MATING SURFACES SEE APPLICABLE SPECIFICATION REFERENCE FOR EACH DASH NUMBER.
- 8 CONNECTOR PRINTED WITH PART NUMBER AND DATE CODE, LOCATED APPROXIMATELY AS SHOWN.



DETAIL Y
SCALE 15:1

THIS DRAWING IS A CONTROLLED DOCUMENT.

DRN: RAYMOND CAO	TOMAY11	TE Connectivity
CHK: ALEX SHOAL	TOMAY11	
APVD: MANOJAN WANG	TOMAY11	RECEPTACLE ASSEMBLY, 144 POSITION, 12 ROW, Z-PACK HM
PRODUCT SPEC	NAME	SIZE: A1
APPLICATION SPEC	WEIGHT	CAGE CODE: 00779
MATERIAL: HOUSING: 1	CONTACTS: 2	DRAWING NO: 1645568
FINISH: 3	CONTACTS: 7	SCALE: 5:1
CUSTOMER DRAWING		SHEET 1 OF 1

REV A